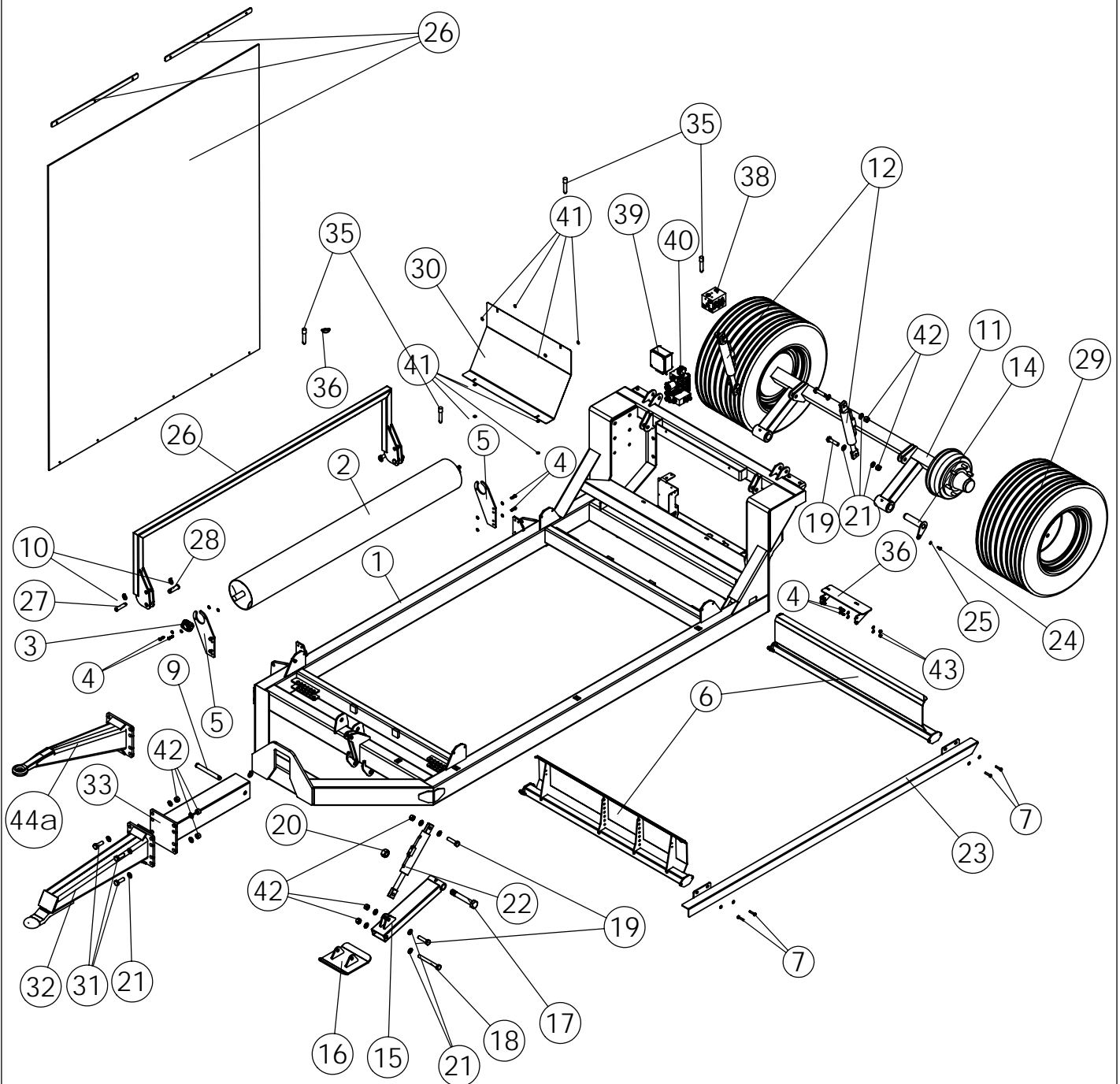


SPARE PARTS LIST

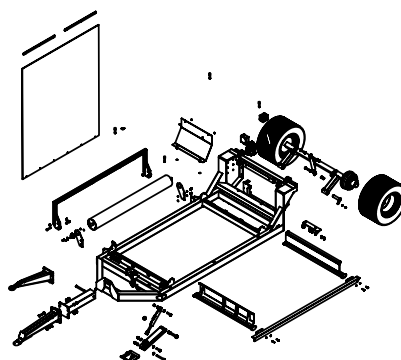
We recommend that when you need spare parts, you should use only original parts.

When ordering spare Parts use the following:

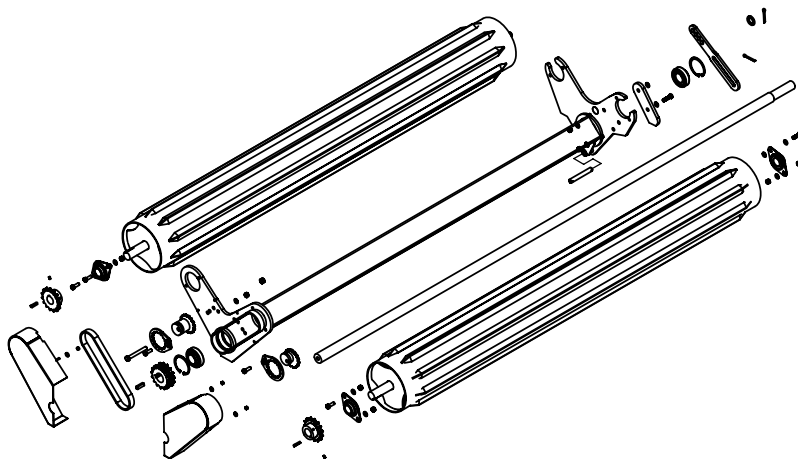
- Drawings are marked with a position number.
- On the accompanying table you will find the position number, its equivalent part number and description. The entire part number and description must always be relayed on ordering.
- **IMPORTANT!**
When ordering always give the serial number on the wrapping machine and specify the Model of Machine.
- All orders must go through your local Tanco Dealer. To prevent confusion all orders must be faxed or e-mailed to Tanco Autowrap.

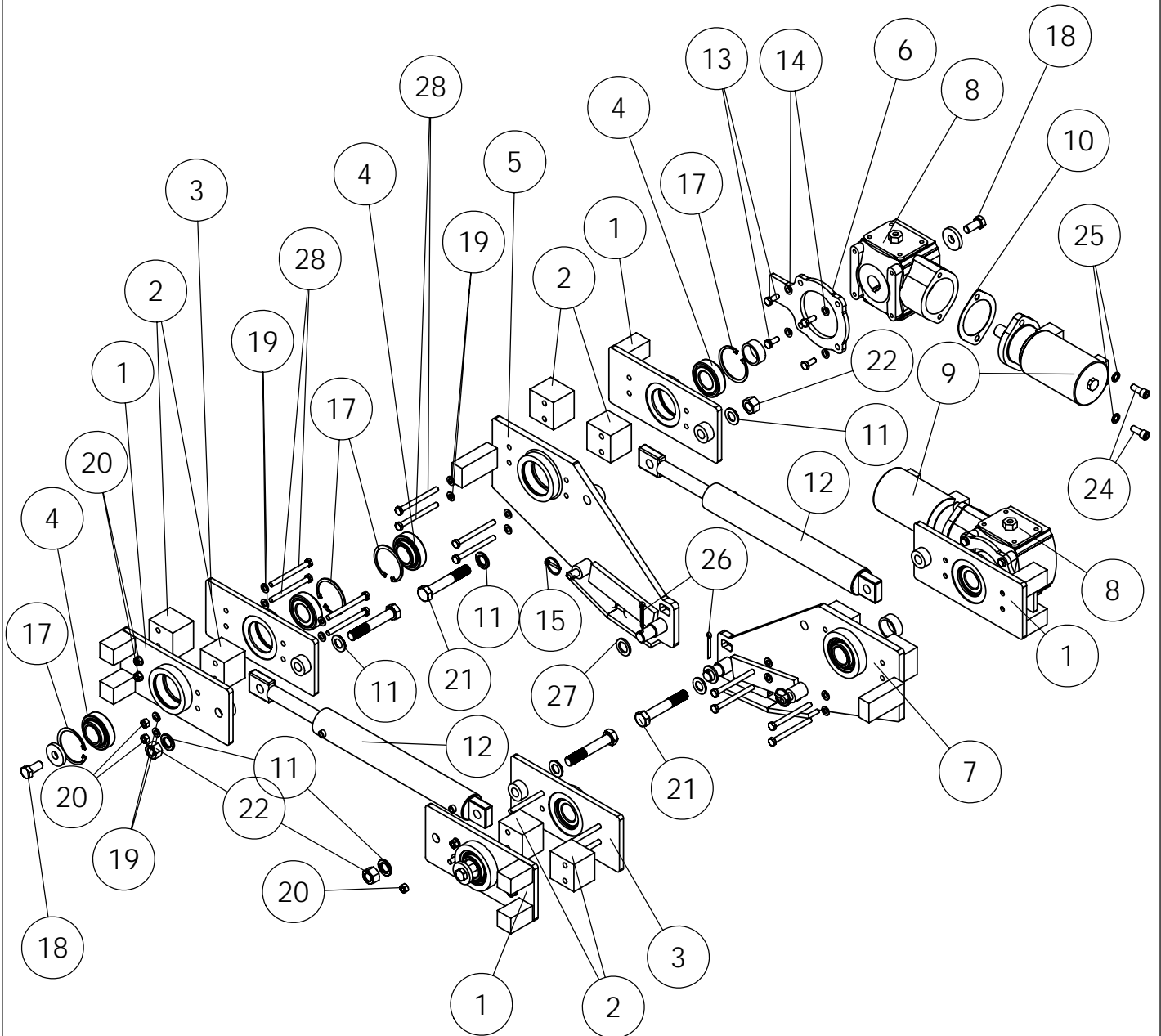


ITEM NO.	PartNo	DESCRIPTION	Default/QTY.
1	1801000	1804 frame	1
2	1801200	roller	1
3	1804101	Bearing	2
4	34117200	M10 x 35mm Hex Set	12
5	1801101	Idle Roller mount	2
6	34240101	Bale stop	2
7	34117245	M10 x 45 Hex set	8
8			1
9	34101100	Drawbar pin	1
10	34200202	Linch pin	5
11	1801700	1804 Axle	1
12	34240029-TAN	Axle Cylinder	2
14	1801150	Axle pin	2
15	34240022	Jack	1
16	34240023	footplate	1
17	34110070	M30 x 200 Hex Set	1
18	Z26-171B	M20 x 180 Hex Set	1
19	Z26-167B	M20 x 80 Hex Set	6
20	34234600	M30 Hex Nut	1
21	34302126	M20 Washer	22
22	34240046-TAN	Jack Cylinder	1
23	34240058	hose guard	1
24	Z26-060S	M10 x 20mm Hex bolt	2
25	Z12-02-10	10mm Spring Washer	2
26	1801800	tip off frame	1
27	34100300	Pin 19,8mm	2
28	34105669	Ramp pin	2
29	Z04-04-2020	2020 Wheel	2
30	1801035	Valve cover	1
31	Z26-1641S	M20 x 60mm Hex Set	4
32	1801920	1804 swivel drawbar	1
33	1801900	Drawbar section 1	1
36	34240102	C & S Holder	1
35	34240050	Width stop pins	4
36	34200201	linch pin	1
37	34230900	M10 Locknut	1
38	1808100	Assembly block	1
39	1509001	RDS Junction Box	1
40	1508250	Inlet & Control valve	1
41	34302122	M10 Washer	47
42	34233000	M20 Hex Nut	11
43	34230900	M10 Locknut	4
44a	1801950	1804 High Hitch	1
44b	1801925	clevis hitch	1

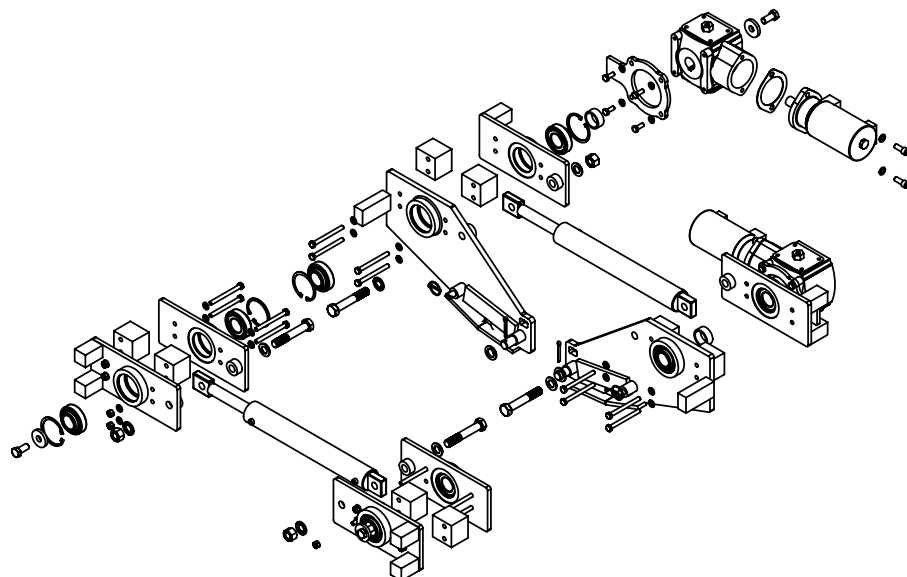


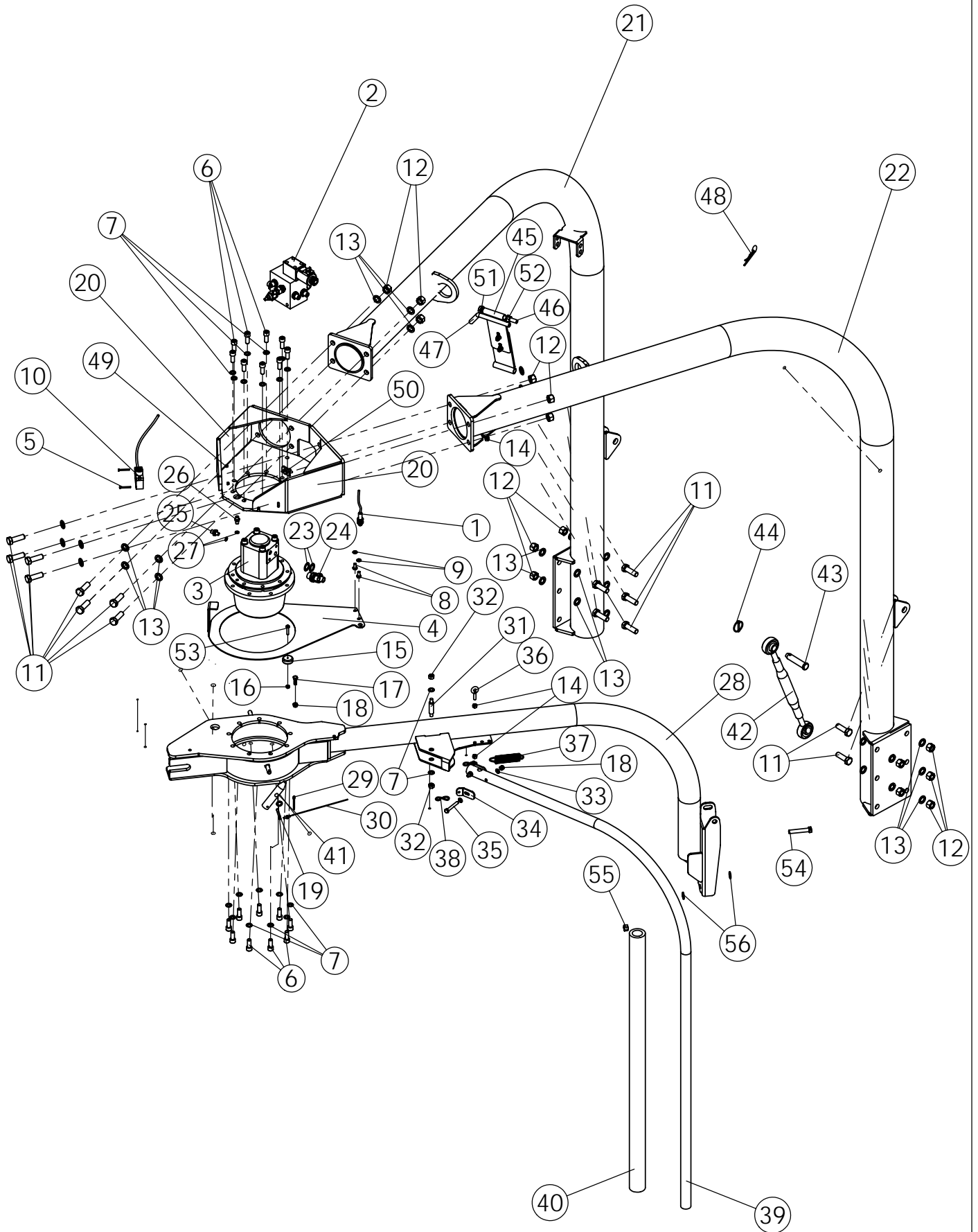
ITEM NO.	PartNo	DESCRIPTION	QTY.
1	1804200	Gripped Roller	2
2	1804101	Bearing	4
3	34240027	shaft	1
4	34240037	Bearing	2
5	34240702	Cir Clip I80	2
6	34270101	key 10 x 9 x 45	1
7	34270105	key 8 x 7 x 32	2
8	34240039	chain cover (right)	1
9	34240038	chain cover (left)	1
10	34240032	Rocking Roller Stop	1
11	34240073	RR Stop Pin 14 mm	1
12	1502004	chain tensioner (low)	1
13	1502003	chain tensioner (high)	1
14	34810834	chain 3/4" x 45 link	2
15	1502002	Chain tensioner outer	2
26a	1804000	Roller frame LHS	1
26b	1804050	Roller frame RHS	1
18	1804115	round bale bracket	1
19	34302120	Washer 6mm	4
20	1804110	15 T simplex sprocket	2
21	34240036	3/4" 18 T Double sprocket	1
22	34110900	M12 x 100 Hex Set	1
23	34231300	M12 Locknut	2
24	34230300	M6 Locknut	4
25	34117200	M10 x 35mm Hex Set	1
26	34302122	M10 Washer	18
27	34230900	M10 Locknut	9
28	34110300	M10 x 30 Hex Set	5
29	Z03-21-29	2" x 1/4" Split Pin	2
30	34302127	Washer 24mm	1
31	34119010	grub screw M8 x 16mm	3
32	34117200	M10 x 40mm Hex Set	1





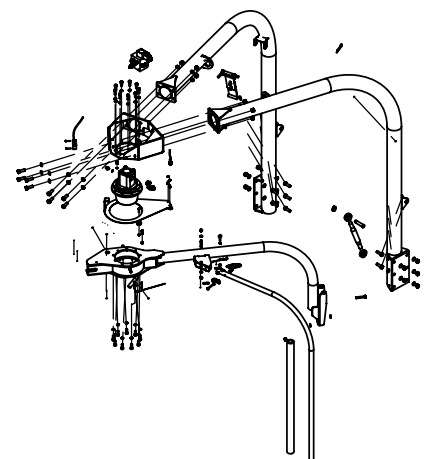
ITEM NO.	PartNo	DESCRIPTION	assy config./QTY.
1	34240014	Bearing mount outer	4
2	34240040	Nylon mounts	8
3	34240015	Bearing mount inner	2
4	34240037	Bearing	8
5	34240012	Level cyl. Mount RHS	1
6	34240016	motor mount	2
7	34240013	Level cyl. mount LHS	1
8	34090181	gearbox	2
9	34090200	motor	2
10	34047011	gasket	2
11	34302126	Washer 21mm dia.	8
12	34240031	Hydraulic cylinder	2
13	34110015	M10 x 25 Hex set	8
14	34302159	round washer	8
15	34200202	Linch pin	2
16	34240085	Spacer	2
17	34240702	Cir Clip I80	8
18	34115600	M16 x 35 Hex Set	4
19	34302122	M10 Washer	32
20	34230900	M10 Locknut	16
21	34112200	M20 x 120 Hex set	4
22	34233000	M20 Hex Nut	4
23	34570009	M16 Heavy Washer	4
24	34110029	M12 x 30 Socket Head Bolt	4
25	34310600	M12 Spring Washer	4
26	Z03-21-29	2" x 1/4" Split Pin	2
27	34302127	Washer 24mm	2
28	34110098	M10 x 110mm	16







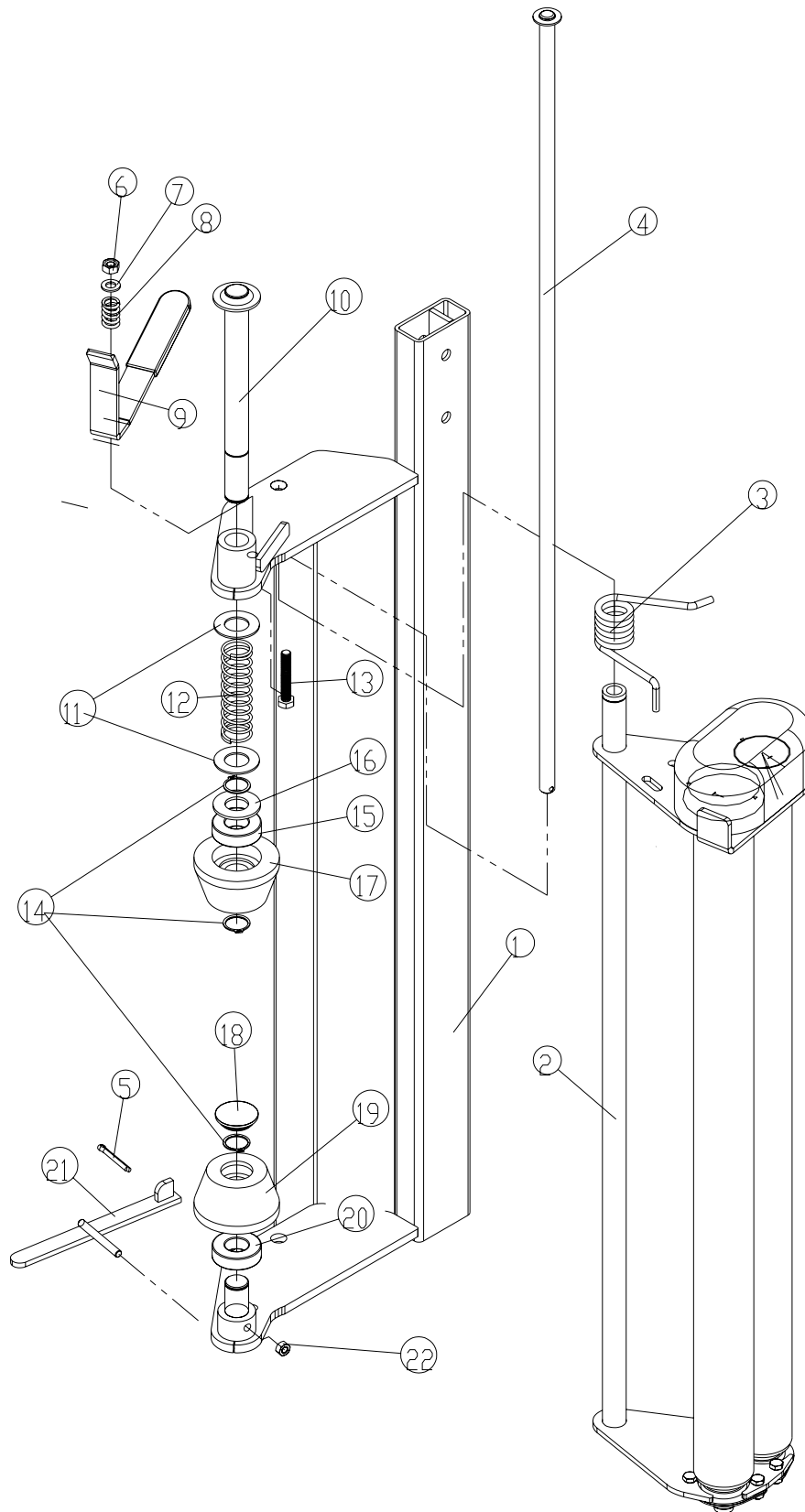
ITEM NO.	PartNo	DESCRIPTION	QTY.
1	1309203	Sensor 4 m	1
2	1308180	Tower block (c/w reversing valve)	1
3	1508900	Motor and Gearbox(see pg 10)	1
4	1503511	Slide plate	1
5	34119078	M4 x 40 Bolt	2
6	34110029	M12 Allen Headed bolt	18
7	1303005	M12 Nordlock Washer	21
8	Z26-038S	Bolt M8 x 16	2
9	Z12-02-08	M8 Spring Washer	2
10	34950179	emergency switch	1
11	34111500	Bolt M16 x 50mm	18
12	34232100	M16 Locknut	18
13	34302125	Washer M16	36
14	34230400	M8 Nut	4
15	1309201	RDS Magnet	1
16	Z23-06	M6 lock nut	1
17	Z26-040S	M8 x 25 Hex Set	1
18	34230500	M8 Locknut	3
19	34120311	M6 eye bolt	1
20	1503040	Tower Motor Mount 1514	1
21	1803050	1804 Tower RHS	1
22	1803060	1804 Tower LHS	1
23	Z01-04-03	1/2" BSP Dowty Washer	2
24	Z01-06-06-08	1/2" x 3/8" Adaptor	2
25	Z01-06-04-06	1/8" x 1/4" BSP Male/Male Adaptor	1
26	1308620	M10 - 1.8" BSP Male/Male Adaptor	1
27	Z01-04	1/8" BSP Dowty washer	2
28	1505200	Warp arm 06	1
29	34220200	Split Pin (4 x 50)	1
30	1505202	E-Stop wire rope	1
31	34105651	Hinge Bolt	1
32	34230900	M10 Locknut	2
33	34302121	M8 Flat washer	4
34	34670152	S-Hook mounting bracket	2
35	Z26-047b	M8 x 60 bolt zinc	2
36	34119043	Eye bolt	1
37	34430300	Spring	1
38	34660111	S Hook 4 x 35 mm	2
39	34611357	Safety Arm	1
40	34480020	Foam padding	1
41	1304002	E-Stop Actuator	1
42	1206650	Top link 16"	2
43	34100300	Pin 19,8mm	4
44	34200202	7/16" Linch pin	4
45	1805230	Wrap arm lock assy	1
46	Z26-095B	M12 x 140mm Hex Set	1
47	34105675	Width stop pin	1
48	Z36-02	4 mm R-Clip	1
49	Z23-04	M4 Locknut	2
50	Z26-039S	M8 X 20 HEX bolt	1
51	Z10-02-12	M. 12 Flat Washer	2
52	Z23-12	M12 Lock Nut	1
53	Z26-022S	M6 x 30 Bolt	1
54	34117500	M12 x 70mm bolt	2
55	34231300	M12 Locknut	2
56	34302135	Washer M12	4





Tanco Auto wrap 1804
Spare parts list

Dispenser: Exploded View

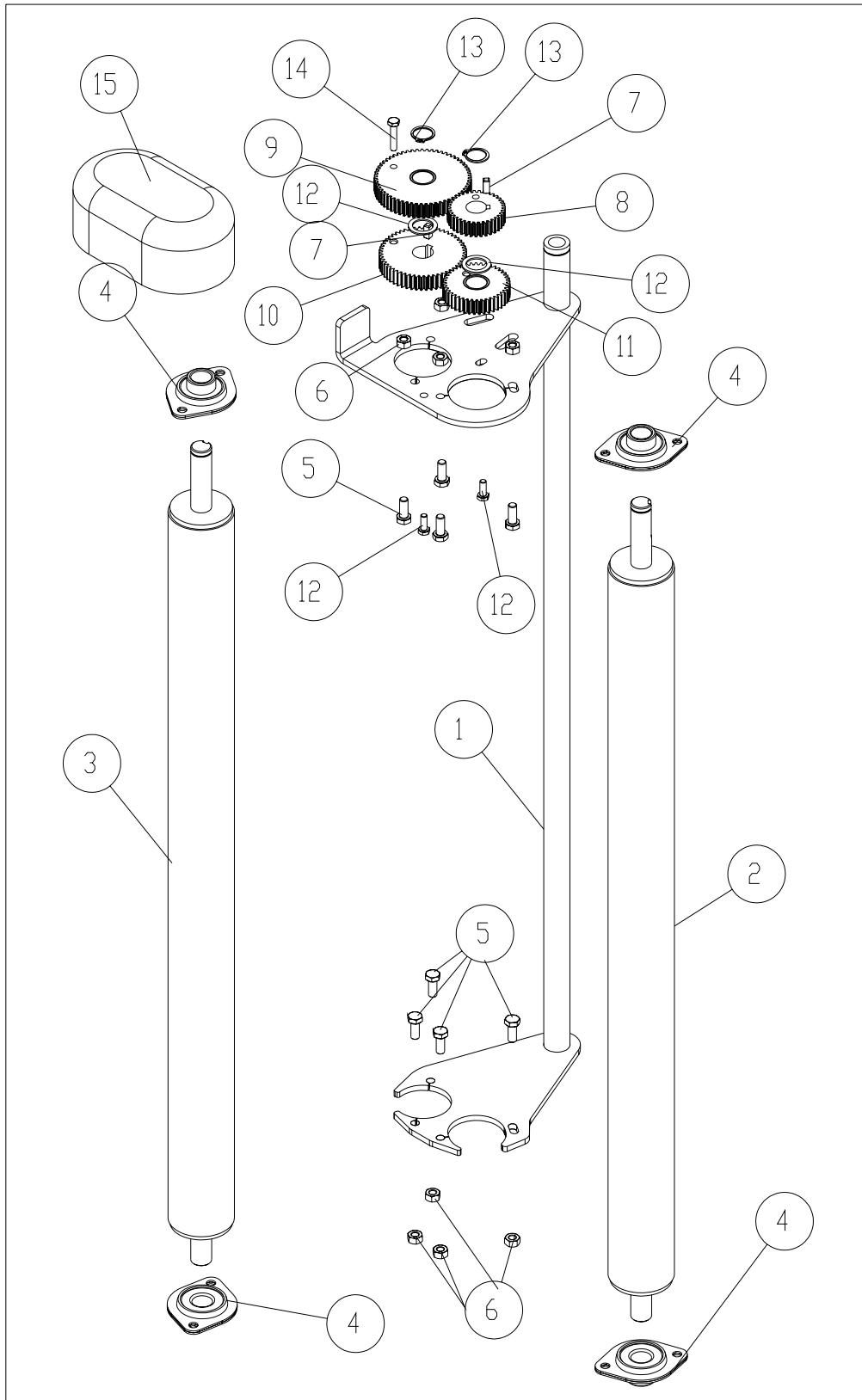




Dispenser Parts list

ITEM	PART NO.	QUANTITY	DESCRIPTION	Dimension
	1805000	1	Complete Dispenser	
1	1805100	1	Dispenser Frame	
2	1305100	1	Roller sub-assembly	
3	1305034	1	Torsional spring	
4	1305030	1	Pivot pin	
5	1305033	1	Split pin	
6	Z23-10	1	M.10 Locknut	
7	34302122	2	M 10 flat washer	
8	1305027	1	Top latch Spring	
9	1305026	1	Top latch	
10	1305022	1	Top shaft	
11	1305020	2	25mm dia. flat washer	
12	1305021	1	Top shaft Spring	
13	1305025	1	M10 x 60 Hex bolt	
14	1305017	3	Cir-clip for shaft OD 25 mm	
15	34302122	2	M 10 flat washer	
16	1305020	2	25mm dia. flat washer	
17	1305019	1	Upper cone	
18	1305018	1	Plastic cap 1 1/4"	
19	1305016	1	Bottom cone	
20	1305015	2	Bearing	
21	1305010	1	Dispenser latch bottom	
22	Z23-08	1	M.8 Locknut	

Dispenser Roller Insert: Exploded





Dispenser Roller insert: Parts list

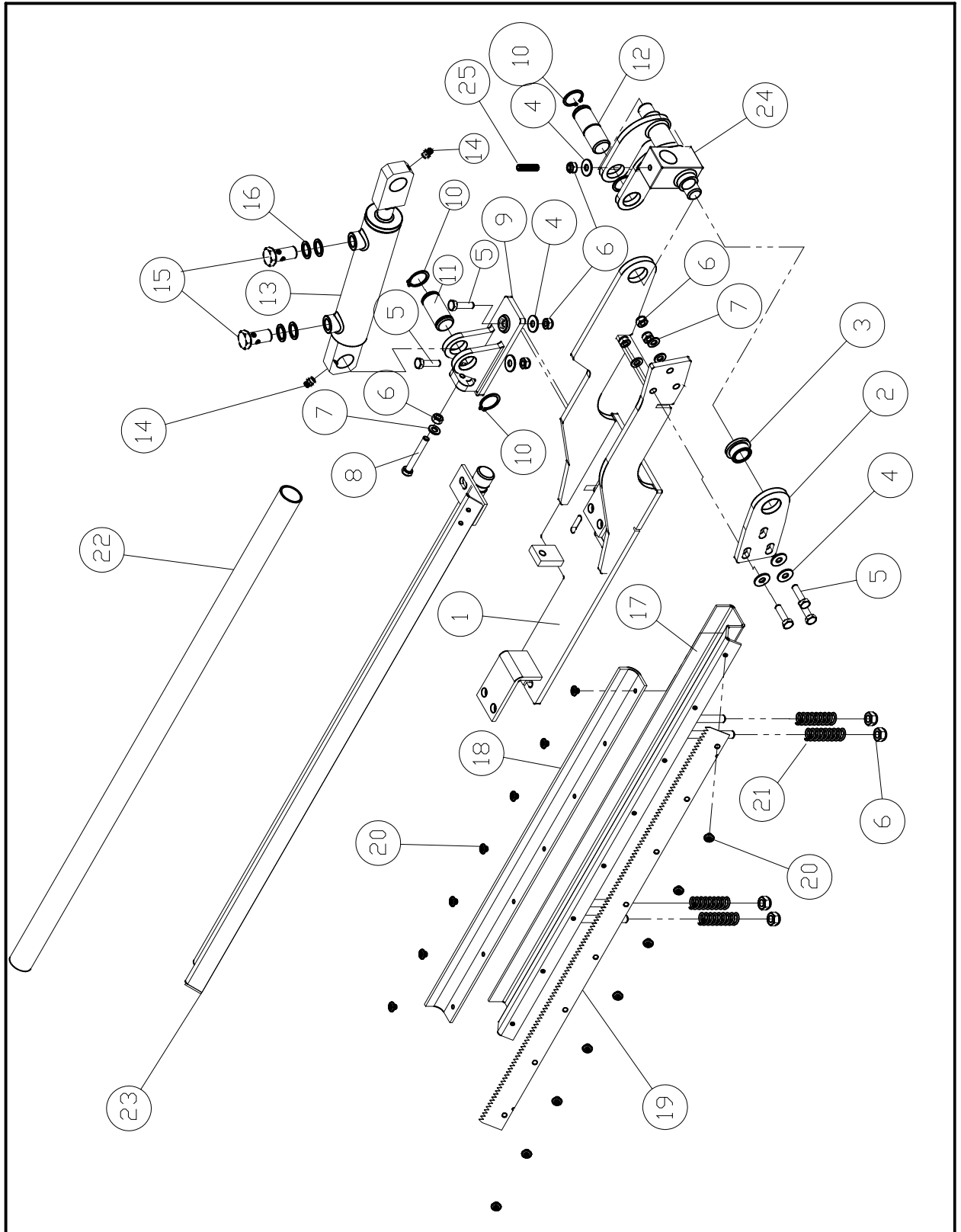
ITEM	PART NO.	QUANTITY	DESCRIPTION	Dimension
	1305100	1	Dispenser Roller insert complete	
1	1305110	1	Insert Frame	
2	1305120	1	Inner Roller	
3	1305121	1	Outer Roller	
4	1305122	4	Bearing	RHP SLF20A
5	Z26-039S	8	M8 * 20 Bolt	
6	Z23-08	8	M8 Locknut	
7	1305123	2	6 mm square key steel	15 mm long
8	1305101	1	60 t gear	16 mm
9	1305102	1	35 t gear	16 mm
10*	1305105	1	54 t gear	16 mm
11*	1305106	1	41 t gear	16 mm
10	1305103		58 t Gear	16 mm
11	1305104		37 t Gear	16 mm
13	1305124	2	20 mm external cir-clip	
11	1305125	1	Gearbox cover	
12	Z26-018S	2	M6 * 16 mm bolt	

* Indicates optional 33 % Stretch gears



Cut & Start

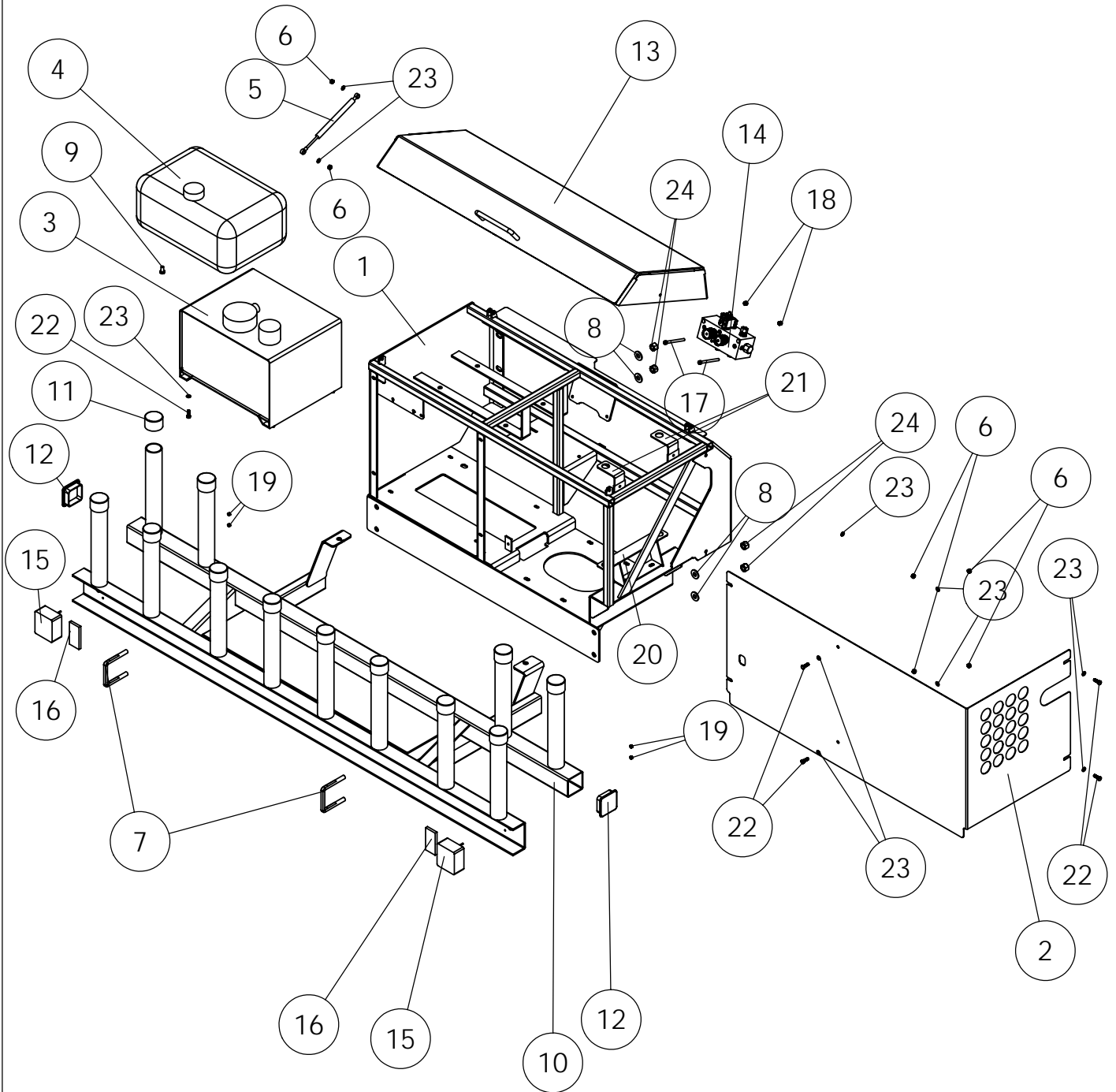
Tanco Auto wrap 1804 Spare parts list



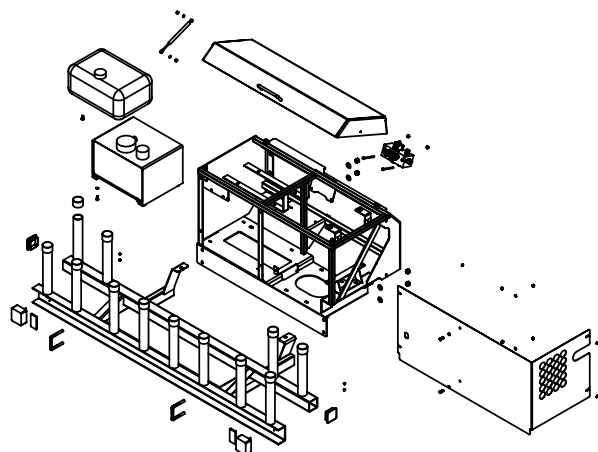


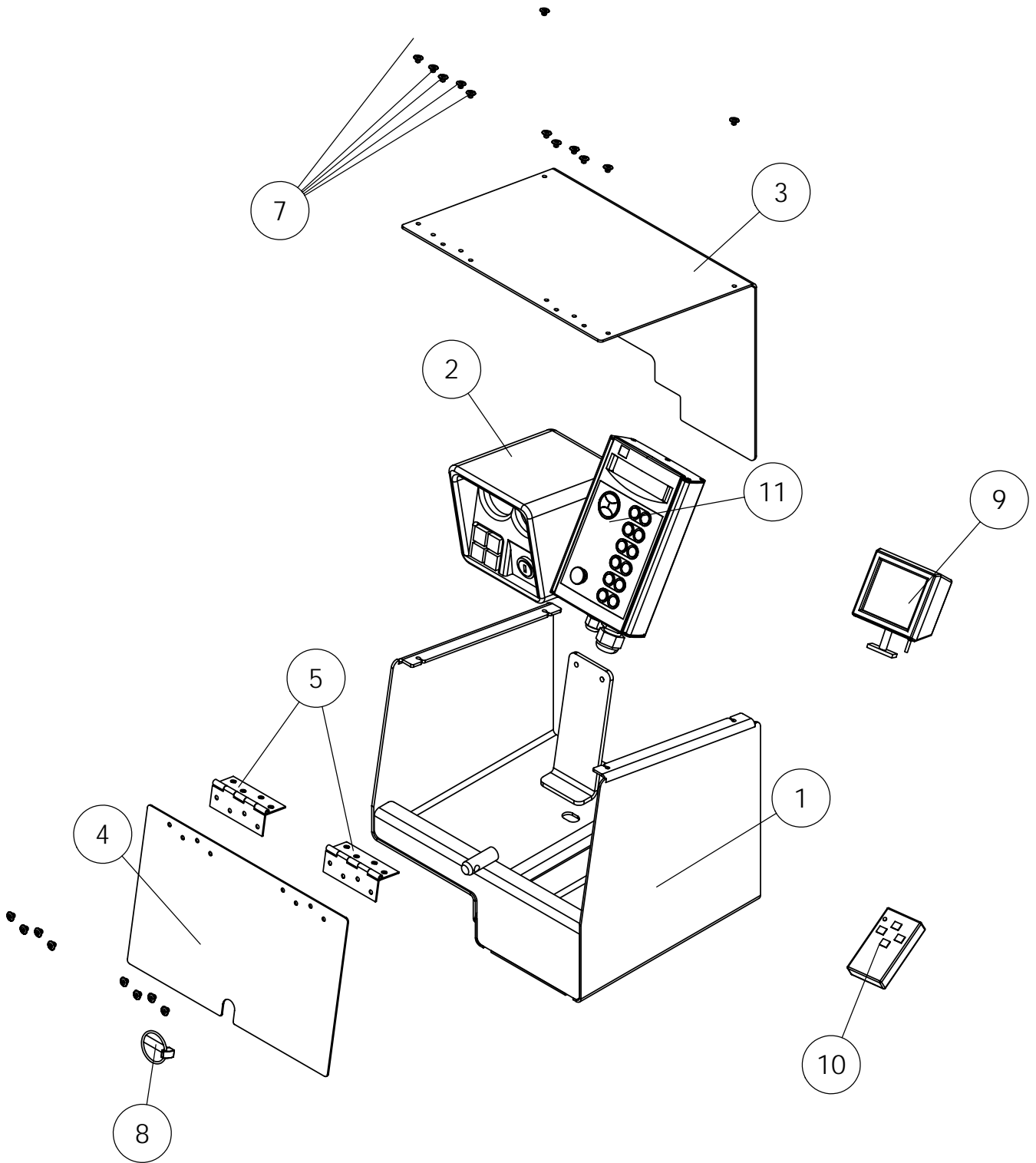
Cut and Start Parts List

ITEM	PART NO.	QUANTITY	DESCRIPTION	Dimension
	34920607		C&S complete	
1	34670195	1	C&S Base Frame	
2	34920597	1	Fastening bracket	
3	34321518	1	Brass Bearing	20/28 x 16 -35 x 4
4	Z11-02-081	4	M 8 Mud Washer	
5	34112700	7	M8 x 30 bolt	
6	34230500	8	M8 Locknut	
7	34302121	8	M 8 Flat Washer	
8	34110003	1	M 8 Bolt	M8 x 45
9	34920525	1	Pivot Casting Base	
10	34240704	4	Cir clip	A 25
11	34105631	1	Bottom Pin for C&S	
12	34105632	1	Top Pin for C&S	25 mm
13	1308151	1	C&S Cylinder	40/20
13a	34043800	1	Seal Kit for cylinder	
14	Z39-66	2	M6 Grease nipple	
15	Z01-21-06	2	3/8" Banjo Bolt	
16	Z01-04-02	4	3/8" Dowty washer	
17	34920585	1	Pressure Plate	
18	34450428	1	Rubber strip	
19	34911039	1	Knife blade	
20	34150007	15	Pop Rivet	
21	34430301	4	Spring	
22	34480009	1	Plastic sleeve	32.2 x 1.9
23	34611422	1	Cutter Arm	
24	34920524	1	Pivot Casting Top	
25	34119142	1	Stud Screw	M8 x 35

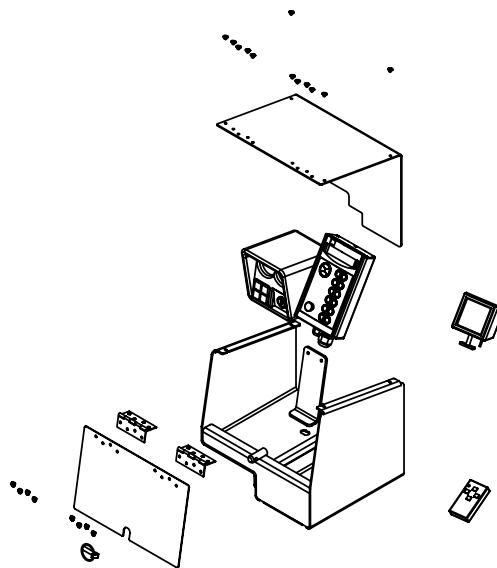


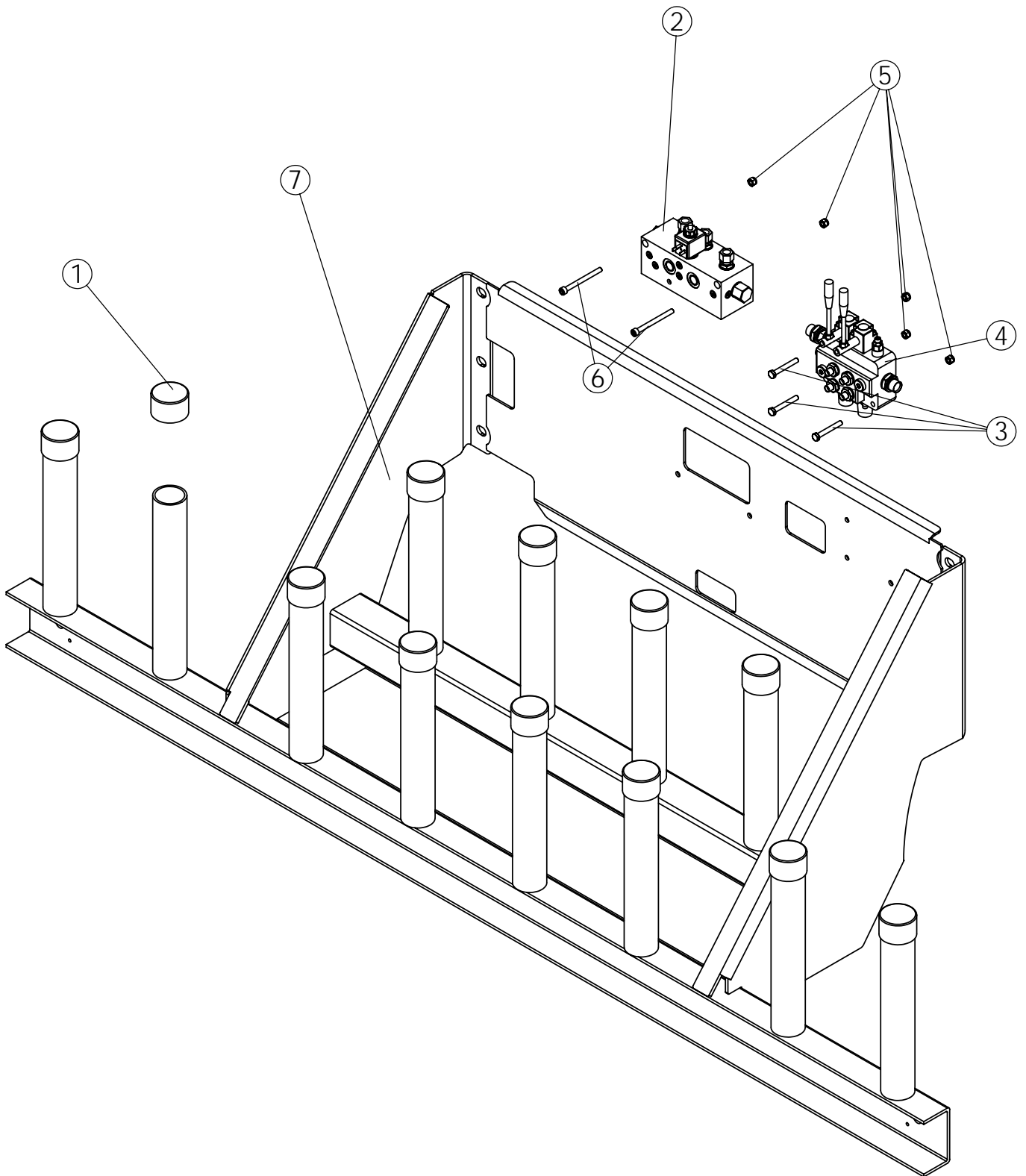
ITEM NO.	PartNo	DESCRIPTION	QTY.
1	1809200	engine mount frame	1
2	1809208	Engine cover	1
3	1809209	Hydraulic tank	1
4	1809212	fuel tank	1
5	1809001	gas spring	1
6	Z23-08	M8 Locknut	6
7	Z35-52	"U" Bolt (M.16)	2
8	Z12-02-16	16mm Washer	4
9	Z26-060S	M10 x 20mm Hex bolt	4
10	1809250	Film Roll Holder	1
11	Z32-081	2 1/2" Plastic Cap	12
12	Z32-175	80 x 80mm plastic insert	2
13	1809290	Engine Top cover	1
14	1508020	adjustment block	1
15	Z05-30	Light kit complete	2
16	Z04-621	Reflector	2
17	Z13-6-08x90	M8 x 90 Allen Head Bolt	2
18	34230500	M8 Locknut	2
19	Z23-06	M5 lock nut	4
20	1809240	Radiator bracket	1
21	1809243	Radiator top bracket	2
22	Z26-040S	M8 x 25 Hex Set	8
23	Z10-02-08	Washer M8	15
24	Z23-16	M16 Locknut	4



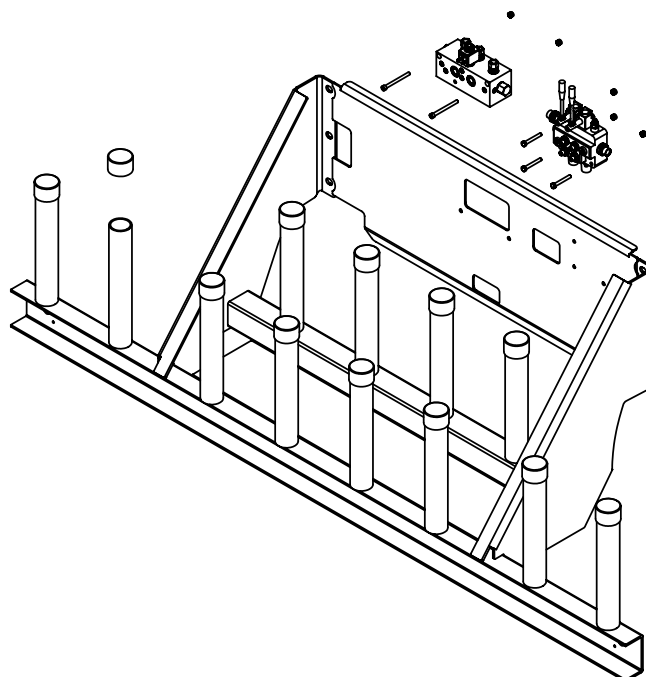


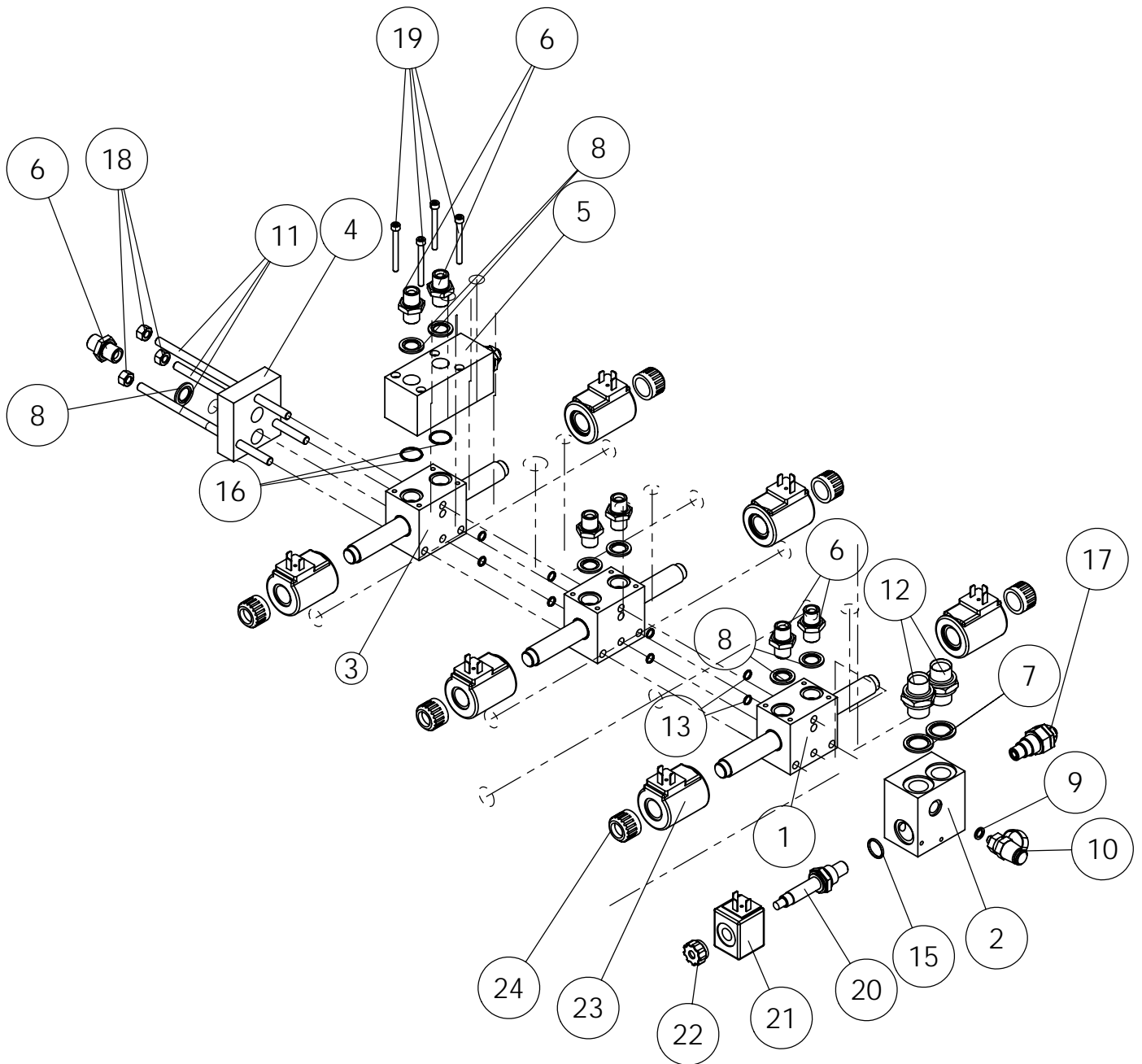
ITEM NO.	PartNo	DESCRIPTION	QTY.
1	1809285	Instrument housing	1
2	1807001	Engine control box	1
3	1809238	Housing cover top	1
4	1809266	Front cover	1
5	1809301-a	Brass Hinge	2
7	Z03-25-05	5 mm rivet	20
8	34200201	linch pin	1
9	1109011	RF Reciever	1
10	1109012	RF Transmittor	1
11	1309000	RA Expert instrument	1



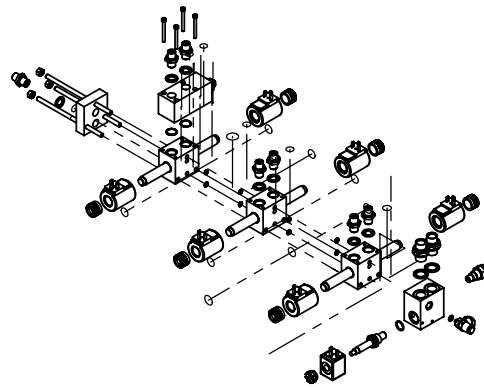


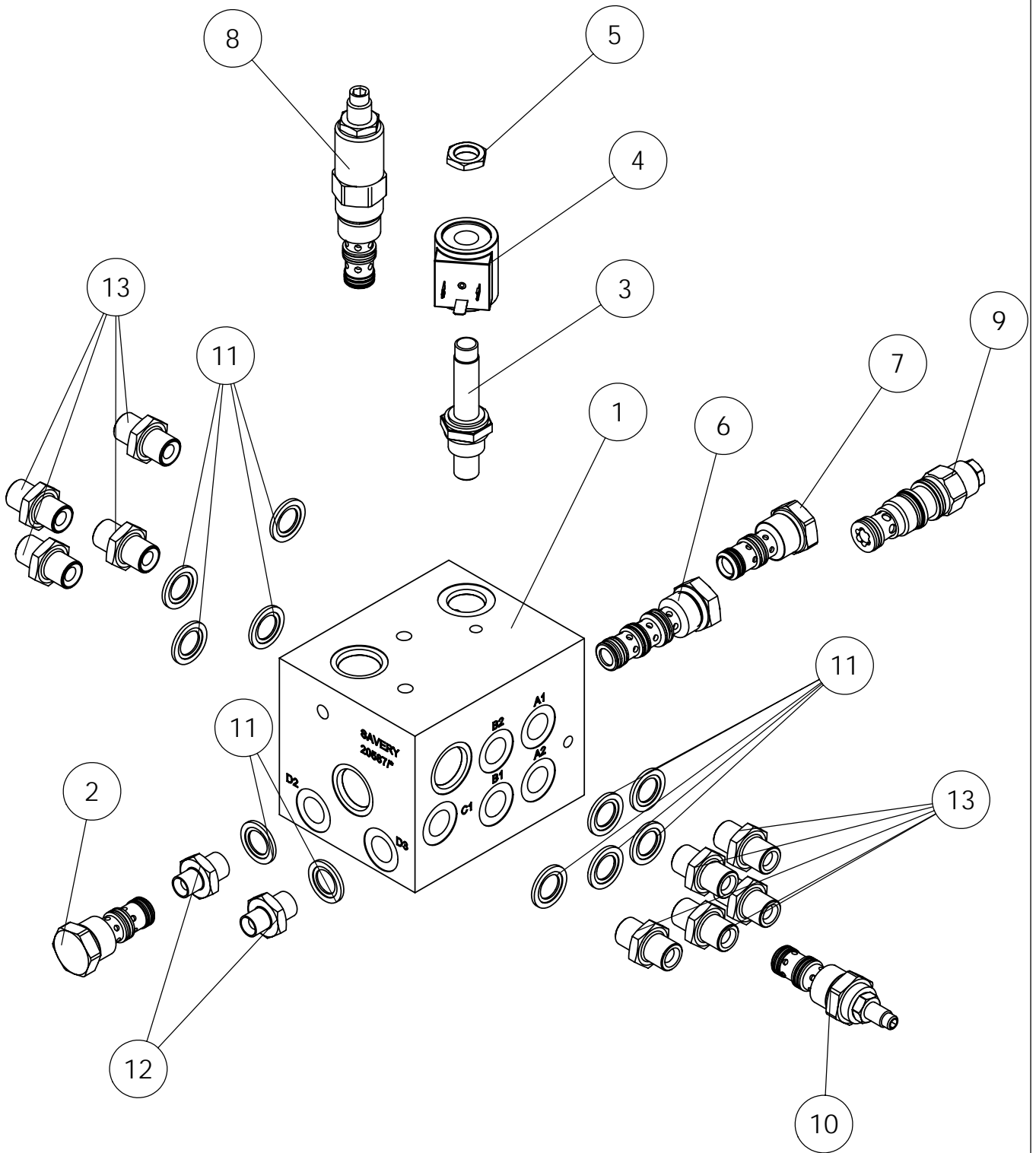
ITEM NO.	PartNo	DESCRIPTION	1804 ARC config/QTY.
1	Z32-081	2 1/2" Plastic Cap	12
2	1508020	adjustment block	1
3	Z26-047b	M8 x 60 bolt zinc	3
4	1808200	2 Bank manual valve	1
5	34230500	M8 Locknut	5
6	Z13-6-08x90	M8 x 90 Allen Head Bolt	2
7	1809450	1804 ARC Bumper	1



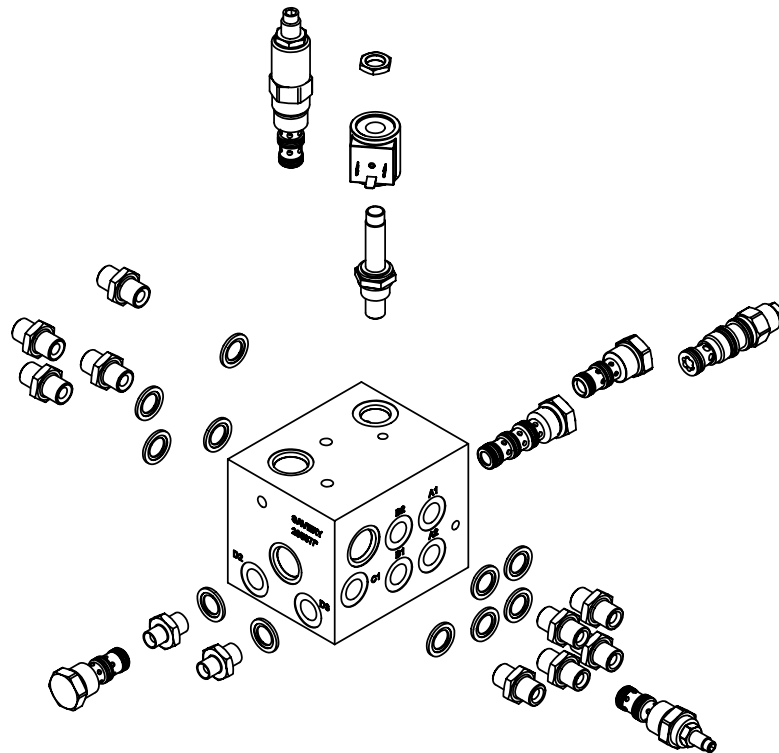


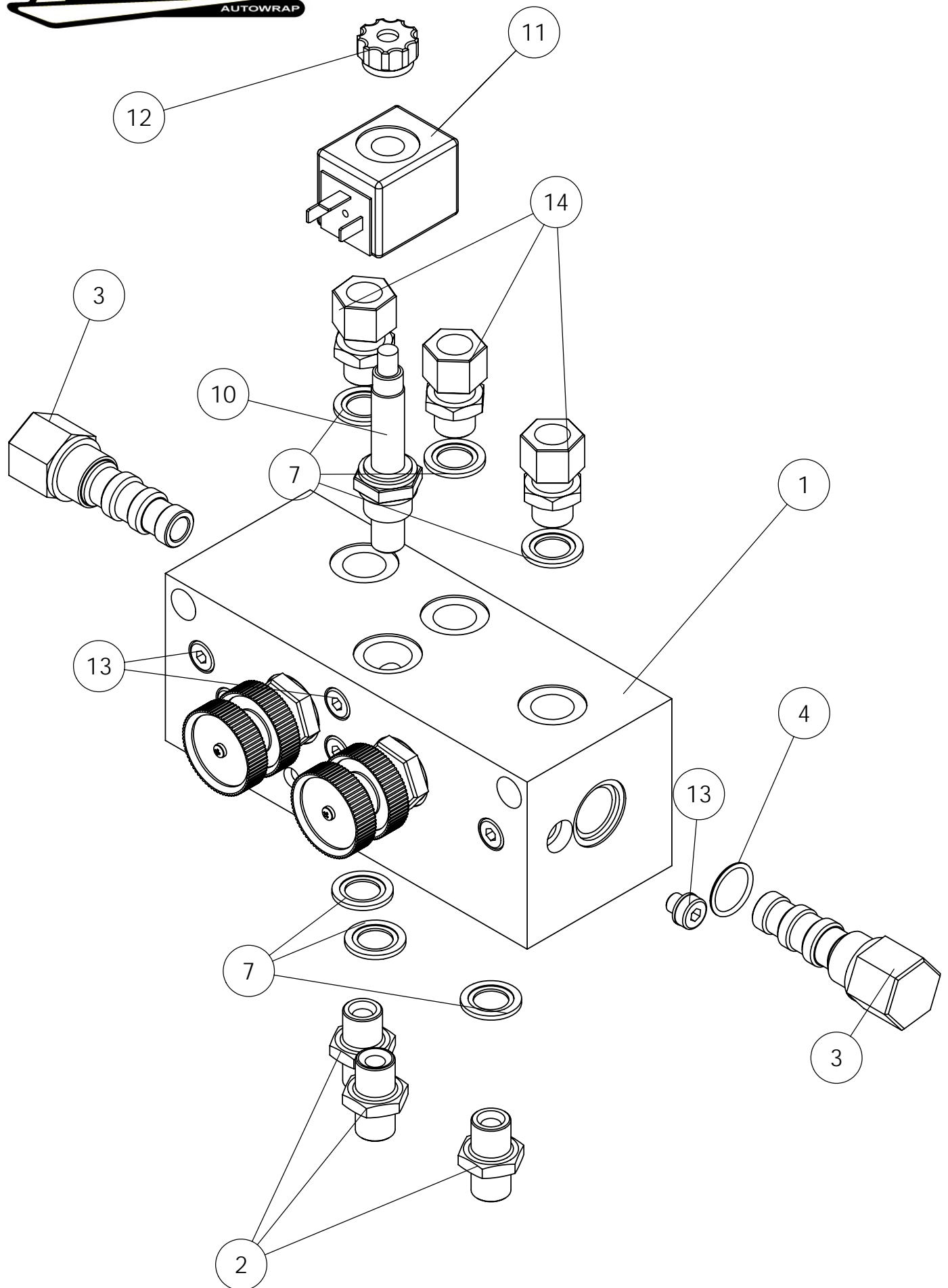
ITEM NO.	PartNo	DESCRIPTION	Default/QTY.
1	1308704	2 Dir Spool Valve (c/w solenoid) (oc)	2
2	1308731	Entry Block (<45l/min)	1
3	1308702	2 Dir. Spool Valve (c/w Solenoid) (cc)	1
4	1308706	End Plate	1
5	1308720	single overcenter valve	1
6	Z01-06-06-06	3/8" x 3/8" Adaptor	7
7	Z01-04-03	1/2" BSP Dowty Washer	3
8	Z01-04-02	3/8" BSP Dowty Washer	7
9	1308714	Entry & Control Block Seal Kit	1
10	1308710	1/4" Test Point	1
11	1308713	Tie Rod	3
12	Z01-06-08-08	1/2" x 1/2" Adaptor	2
13	1308714	Entry & Control Block Seal Kit	8
14		O Ring Retainer	2
15	1308714	19mm O- ring	2
16	1308714	Entry & Control Block Seal Kit	2
17	1308732	Pressure relief valve	1
18	Z23-08	Locknut M8	3
19	1308715	M5 x 60mm Socket Head Bolt	4
20	1308708	Master valve	1
21	1308202	Solenoid	1
22	1508002	nut for magnet (c/w 28)	1
23	34087521	12V Coil	6
24	1308220	Plastic Nut For 12V DC Coil	6



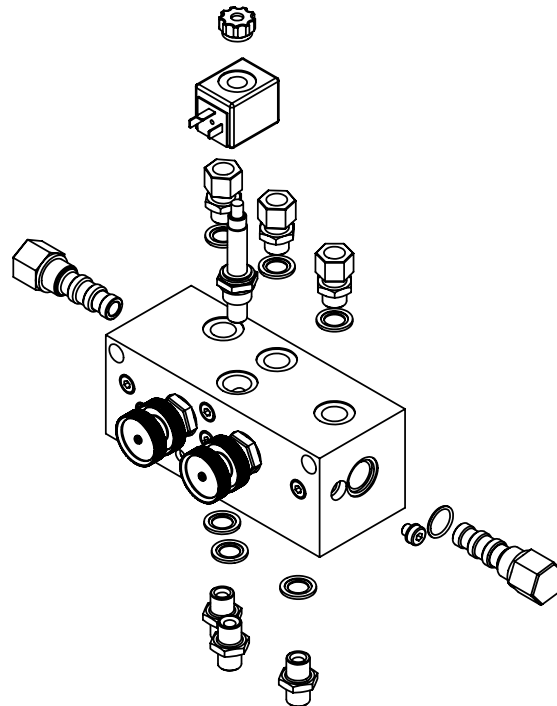


ITEM NO.	PartNo	DESCRIPTION	QTY.
1	1808101	1804 Assembly block empty	1
2	1808107	P/O Check valve	1
3	1808104	Rotation stop valve	1
4	1808105	Rotation stop coil	1
5	1808104	Nut for valve (C/O valve)	1
6	1808103	Flow divider valve	1
7	1808110	Schuttle valve	1
8	1808108	Flow control valve	1
9	1808106	Over center valve	1
10	1808109	Sequence Valve	1
11	Z01-04-02	3/8" BSP Dowty Washer	11
12	Z01-06-04-06	1/4" x 3/8" BSP Male/Male Adaptor	2
13	Z01-06-06-06	3/8" x 3/8" Adaptor	9

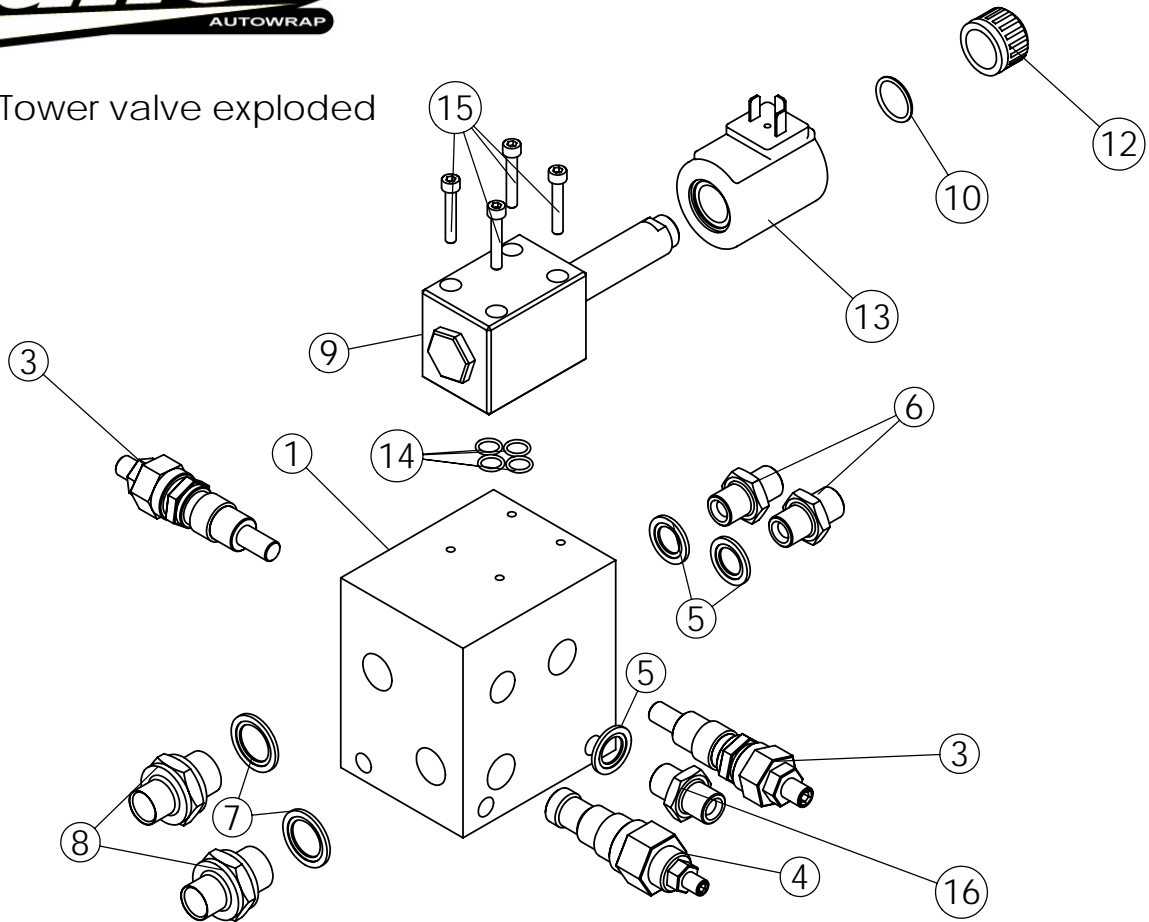




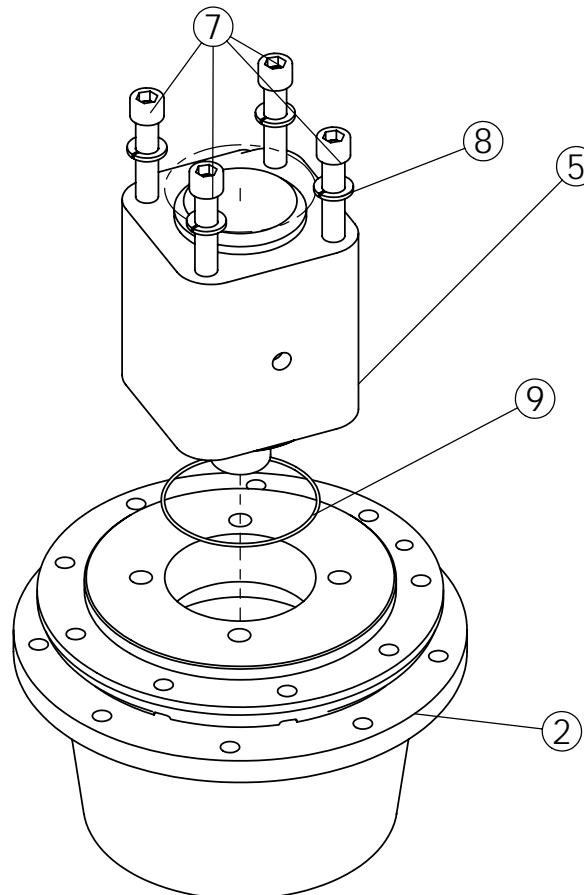
ITEM NO.	PartNo	DESCRIPTION	Default/QTY.
1	1508021	Adjustment Block empty	1
2	Z01-06-06-06	3/8" x 3/8" Adaptor	3
3	1308251	Pressure compensator valve	2
4	1308219	Seal Kit adjustement block	2
5	1308251	Pressure compensator valve	3
6	1308252	Flow control valve	1
7	Z01-04-02	3/8" BSP Dowty Washer	6
8	1308116	Copper Washer 1/8"	1
9	1308116	1/8" Plug	1
10	1508002	2 Speed Valve	1
11	1308202	Solenoid	1
12	1508002	nut for magnet (c/w 10)	1
13	1308115	1/8" Male plug	8
14	34061899L	3/8" x 12L Adaptor	3
15	1308252	Flow control valve	2



8.1.1 Tower valve exploded



8.2.1 Tower Motor Exploded



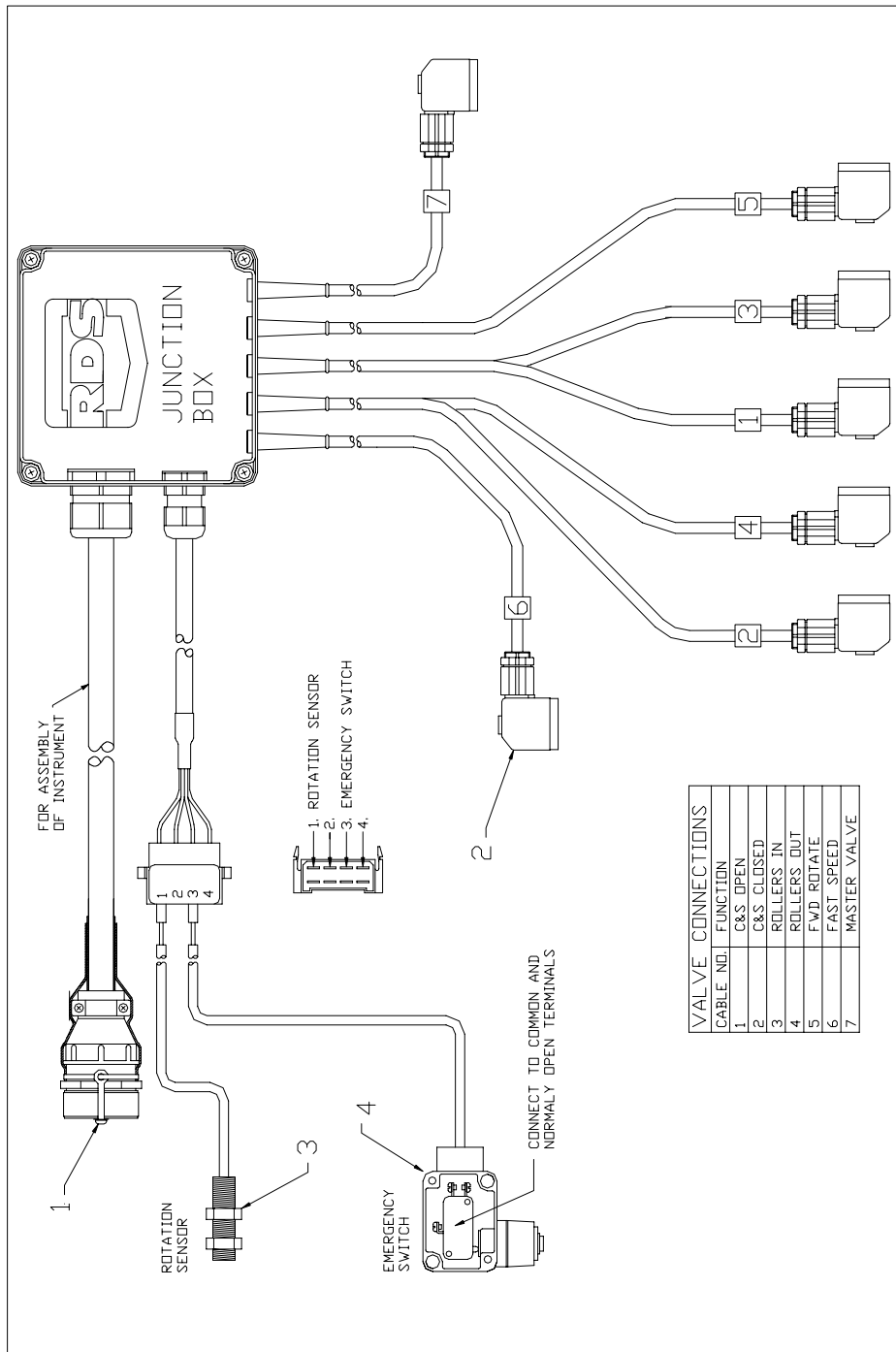


Tower valve parts list

ITEM NO.	PartNo	DESCRIPTION	QTY.
1	1308154	Tower block empty	1
2	1308180	Tower block complete (c/w reversing valve)	
3	1308108	Cross Line Relief Valve	2
4	1308109	Over-center Valve	1
5	Z01-04-02	3/8" BSP Dowty Washer	3
6	Z01-06-06-06	3/8" x 3/8" Adaptor	3
7	Z01-04-03	1/2" BSP Dowty Washer	2
8	Z01-06-06-08	1/2" x 3/8" Adaptor	2
9	1308170	Reversing valve complete (c/w solenoid)	1
10	1308171	Solenoid Seal Kit	1
12	1308173	Plastic Nut For 12V DC Coil	1
13	1308172	12V Coil	1
14	1308171	Cetop O-ring set (11 mmx 4)	1
15	Z13-5-05x30	M5 x 30 cap head bolt	4
16	Z01-06-04-06	3/8" x 1/4" Adaptor	1

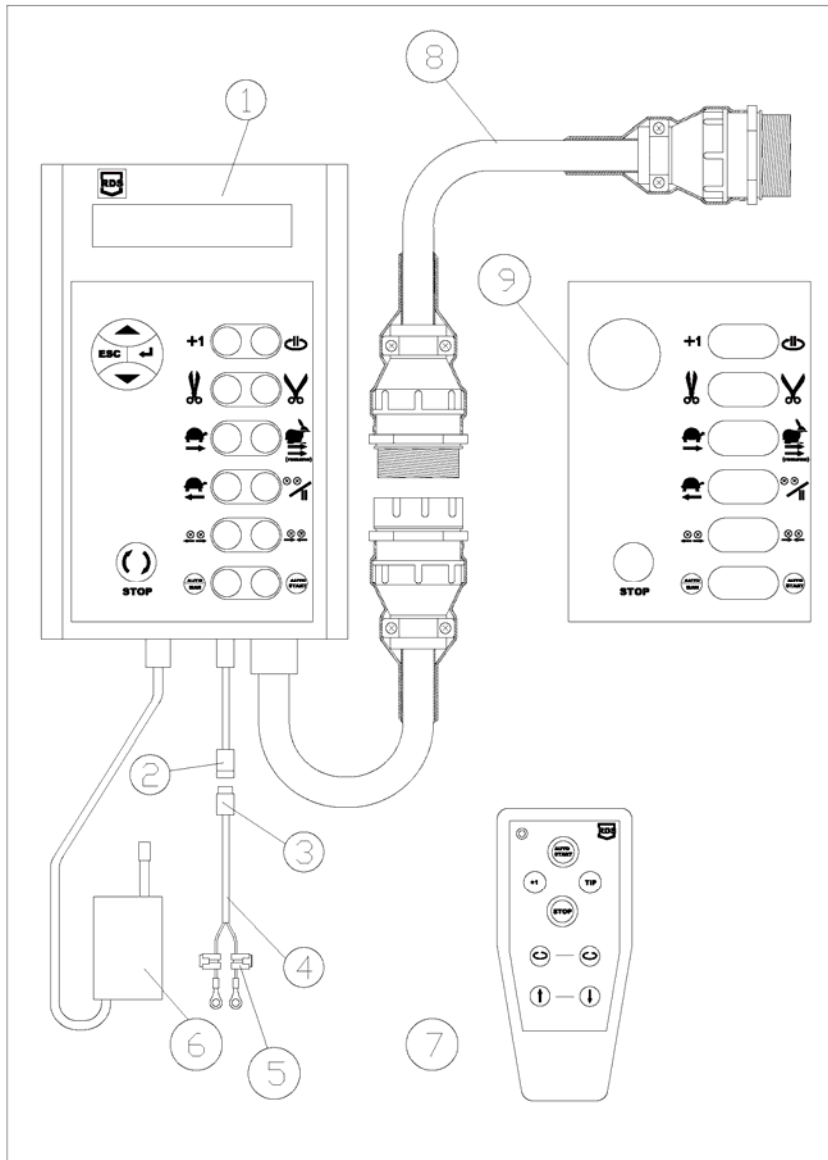
8.2.2 Wrap arm motor and gearbox.

ITEM NO.	PartNo	DESCRIPTION	QTY.
1	1508900	Wrap arm motor and Gearbox	
2	1508902	1022 Gearbox (c/w brake)	1
3	1508904	1022 Brake kit	
4	1508903	End-plate kit	1
5	1508910	Wrap arm motor	1
6	1508911	HPRM Seal kit	
7	Z13-130	M12* 130 Allen Headed bolt	4
8	Z12-02-12	M12 Spring Washer	4
9	1508901	82.26 x 1.78 O-Ring	1



ITEM	PART NO.	QUANTITY	DESCRIPTION
	1309004	1	1300 Junction Box complete
1	1309003	1	Com Cable (3m) c/w 24 pin plug
2	1309005	7	Hirshmann c/w screw, gland and 0.7 m cable
3	1309203	1	RDS Sensor (4 m cable)
4	34950179	1	Emergency stop switch

9.2. EH Controller



ITEM	PART NO.	QUANTITY	DESCRIPTION
1	1309020	1	RA Control Unit
2	1309017	1	2 pin connector Female + 2 spade pins
3	1309010	1	2 pin connector male + 2 female pins
4	1309007	1	Battery cable 3m
5	ZD606-100	1	20 amp blade fuse
6*	1109011		RF Reciever
7*	1109012		RF Transmitter
8	1309005	1	Com cable 3 m
	1309021		RA Faceplate RDS
	1309009	1	Controller mounting bracket EH
	1309012	1	Controller suction cup